

MICROSOUND SYSTEMS

M6PAZ

3 or 6 Way P.A. Zone Switcher

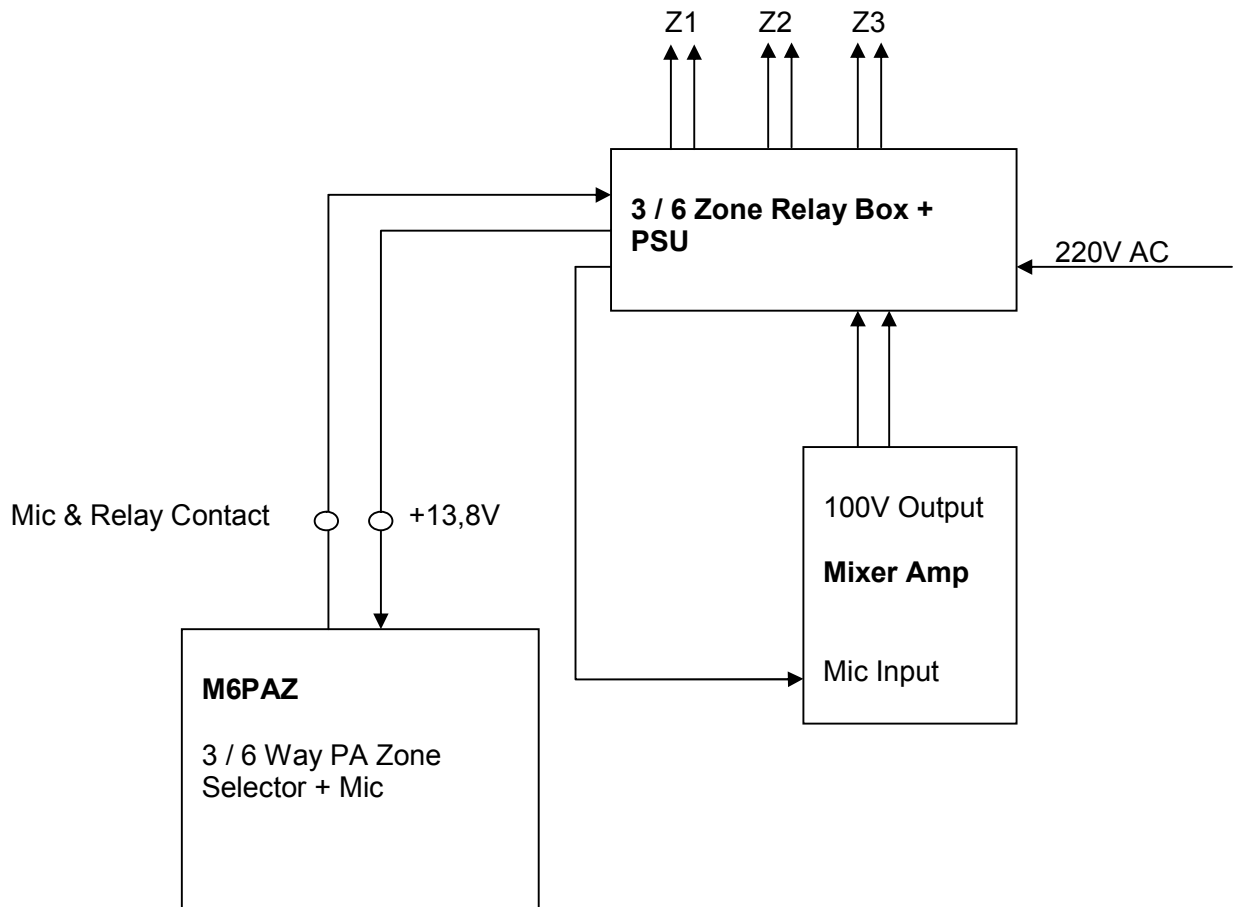
The Zone Selector consists of a Master Station with 6 zone selector switches, 6 zone LED's, a Talk and All Call push button and Goose Neck Mic. This is cabled to a Relay/Psu Box with either 3 or 6 heavy duty relays, to switch the 100V output of a Mixer Amp to the different zones. The Relay/Psu Box is mounted at the amplifier and connected to the master via a 5m cable. This cable can be supplied in longer lengths if required.

Operation:

Select required zone or zones then press and hold the Talk button, make announcement. Release Talk button when finished and deselect zone switches. To make an all call press the All Call button, make announcement and release when finished.

Installation:

- Place Master at operator's position.
- Mount Relay/Psu Box near Mixer Amp.
- Relay/Psu Box must be connected to 220V AC.
- Connect the 100V Line output of the Amp to the input of the Relay/Psu Box.
- The zone cables are then connected to the zone outputs of the relays.
- Plug the Mic Jack into the Amp Mic In.
- Adjust Amp volume to required level.



Guarantee

The M6PAZ P.A. Switcher is guaranteed by the manufacturer for a period of twelve months from the date of delivery against faulty components and faulty workmanship (ex factory).

Manufactured by:
 Microsound Systems CC
 P.O. Box 38220
 Booyens
 2016
 South Africa
 Tel: 011 493 2424 Fax: 011 493 0347
 Email: sales@microsound.co.za
 Web: www.microsound.co.za

M6PAZ
 14 March 2012