

MSS101

ONE TO ONE INTERCOM



MSS101M
Master unit



MSS101S
Substation

MSS101M features

- Press to talk button
- Ample volume 1 Watt
- Auto switch off +/-15s
- Call in buzzer
- Compact
- Simple to install
- Wiring 4 core 0.5mm
- Cable length up to 50M

MSS101S features

- Call button
- Ample volume
- Compact
- Simple to install

Applications

- Ideal for security windows
- Prisons
- Receptions
- Bank Tellers
- Cash Offices
- Municipalities
- Fast Food Outlets

Kit includes

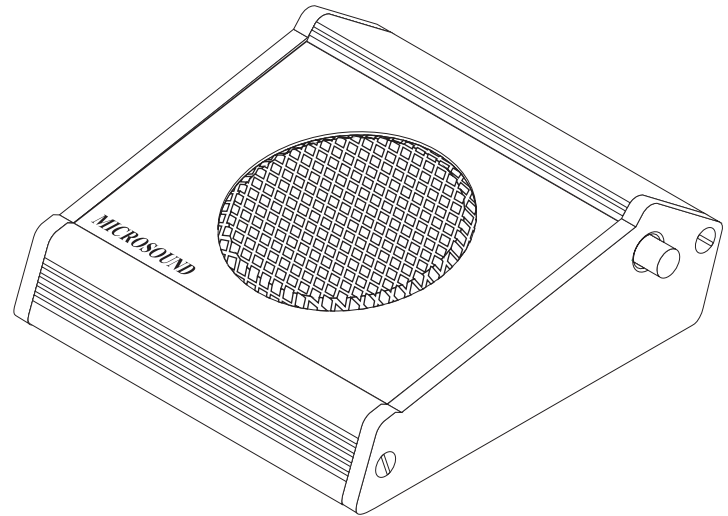
- 1 x MSS101M master unit
- 1 x MSS101S substation
- 1 x Powersupply 12vdc 1A

Microsound MSS101

One to one door intercom

Master station features

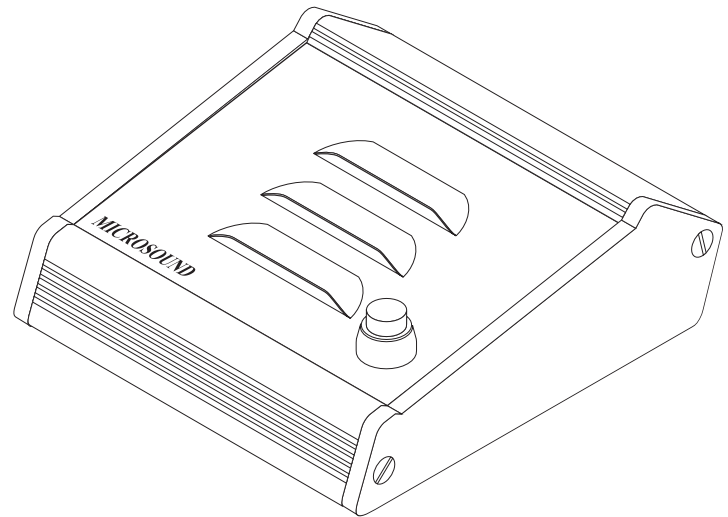
Press to talk button
Door release button
Battery operated or psu
Auto switch off
Call in buzzer
Robust



Master Station

Sub station features

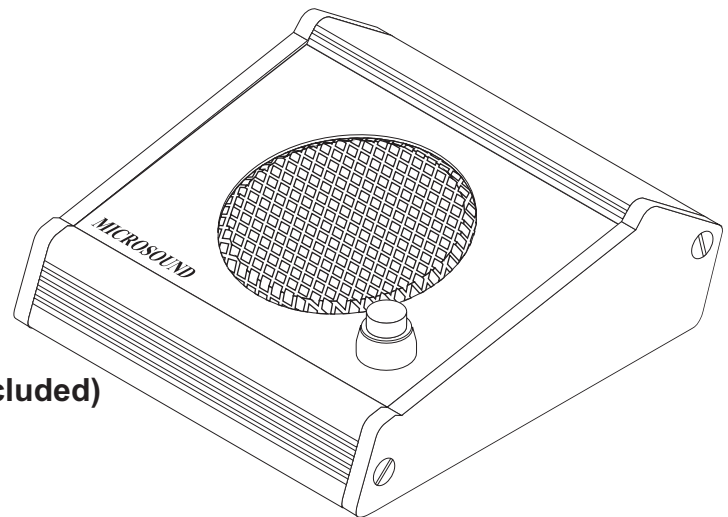
Standard and weather resistant models
Call button
Robust



Weather resistant substation

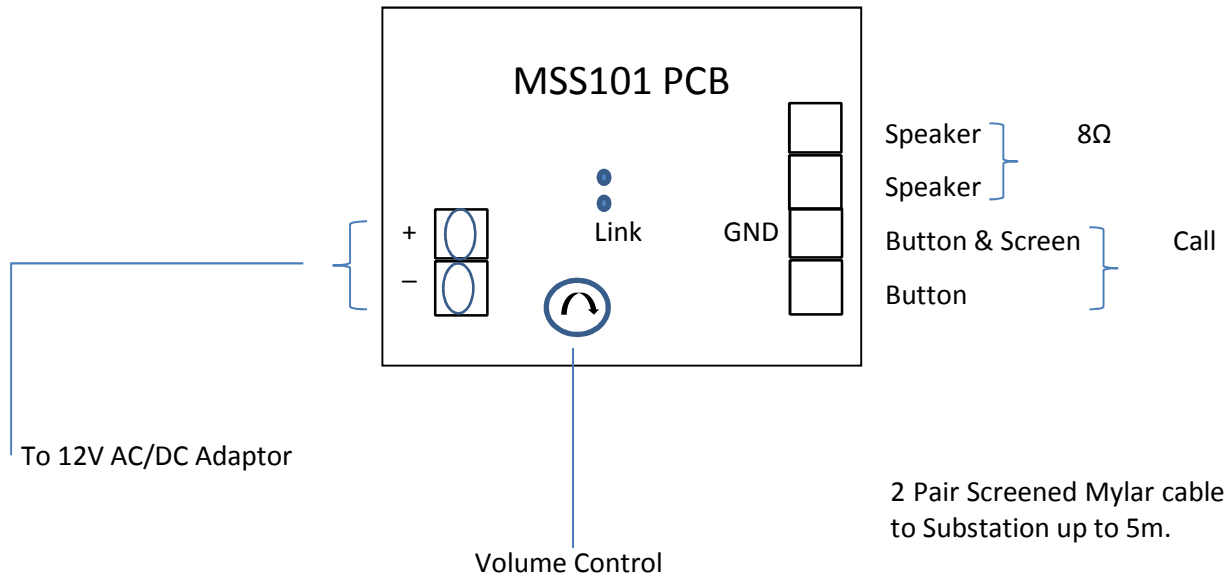
Specifications

Power source: MPS100 powersupply (excluded)
Audio output : 300mw
Power input : 300mw
Wiring : 2 twisted pairs
Distance : 50m on 0,5mm dia cable
Mounting : On 100 x 50mm electrical box



Standard substation

MSS101 WIRING



Link OFF – Auto switch off
Link ON – Permanently on

2 Pair Screened Mylar cable
to Substation up to 5m.

Distances further than 5m
use 2 pair FR20 0,8mm
screened cable.