

# MICROSOUND

## TS631 INSTRUCTION MANUAL

### Step-by-Step Directions for programming TS631 Time Switch

Power On - Time Switch goes into time mode displaying Microsound TS631, the current day and time. When programming is finished, the time switch must be in this mode.

To ring the bell manually, press **B** while in this mode

**D** Changes to the next mode

**#** Changes back to the last mode

#### **A. To set the alarm time (when the bell/siren must be triggered)**

1. Press **D** once to go into "Enter new alarm" mode.
2. Press **\*** once to start programming the alarm times
3. Press: **1** for Monday / **2** for Tuesday / **3** for Wednesday / **4** for Thursday / **5** for Friday / **6** for Saturday / **7** for Sunday, the cursor will then jump over to the zeros.
4. Enter time in 24 hour format hours 00: minutes :00: seconds :00  
Note: Seconds must always be 00  
E.g. **07:45:00** or **12:00:00**.
5. Press **A** to accept your new alarm. To clear an alarm time, press **C**.
6. Display will again show: Mon 00:00:00
7. Continue entering your alarms. When finished press **D** or **#**.

#### **B. To view the alarms that have been programmed**

1. Press **\*** to view the times that have been programmed.
2. Press **B** to move forward to the next time. This can be done until the display shows "No more Alarms". To move back through alarms press **A**.
3. To delete only a selected alarm, press **C** while the alarm is shown on the display. The display will show the next alarm.
4. Press **#** to go back to the time mode or **D** to go to the next mode

**C. Copy alarms (if days have the same alarm times they can be copied)**

1. Press **\*** to enter programming mode.
2. With the cursor over the first Mon, press **1** – **7** (numerals representing the day of the week) to select the day which you want to copy.
3. The cursor will jump to the next Mon, press the numeral representing the day you want to have the same alarms copied to.
4. Press A to accept your choice. Display will say “*Copying...*” until done. It will then revert back to the menu.
5. Only copies a single day to another, one at a time.
6. Press **#** to go back to the time mode or **D** to go to the next mode

**D. Clear alarms (Beware: This clears all alarms)**

1. Press **\*** to delete all the alarms on the time switch. (Note: to delete only one alarm, see “View alarms” above)
2. Press **#** to go back to the time mode or **D** to go to the next mode

**E. Alarm duration**

1. Press **\*** to change the time in seconds that the alarm will sound. There will be no effect when the Alarm mode is on “*Latching*”
2. Enter the time in seconds and press **A** to accept or **C** to clear the display.
3. The time switch will revert back to time mode.

**F. Alarm mode**

1. Pressing **A** when this option appears will alternate between “Pulsed” and “Latching”. Pulse mode must always be selected to trigger Bells, Sirens, or the SLSI80 / M20 intercoms.
2. Press **#** to go back to the time mode or **D** to go to the next mode

**G. Configure mode**

1. Enables beep when any button is pressed. Press **A** to alternate between “on” and “off”.
2. Press **#** to go back to the time mode or **D** to go to the next mode

**H. Arm alarm**

1. Press **A** to alternate between “on” or “off”. When “On” alarms will ring as programmed. When “Off” all alarms will be disabled.
2. Press **#** to go back to the time mode or **D** to go to the next mode

**I. Table (To change between two programmed sets of alarms)**

1. Press **A** to toggle the alarm between the two alarm tables. Use table one for permanent everyday alarms and table two for special alarms. (This mode allows you to have special alarms without having to change your permanent alarms.) Only one table can be used at a time.
2. Press **#** to go back to the time mode or **D** to go to the next mode

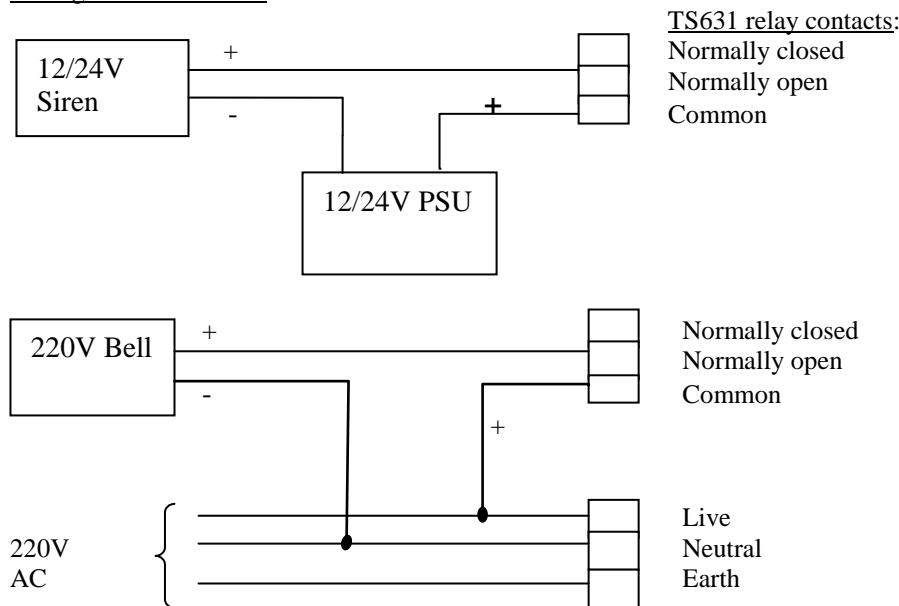
**J. Enter new time (to adjust the current displayed time)**

1. With the cursor over the Mon, press the numeral (**1** - **7**) representing the current day. The cursor will jump over to the zeros.
2. Enter the current time in 24 hour format (hours 00: minutes :00: seconds :00)  
E.g. **07:45:00** or **12:00:00**.
3. Press **A** to accept new time or **C** to cancel.
4. Program auto reverts to time mode.

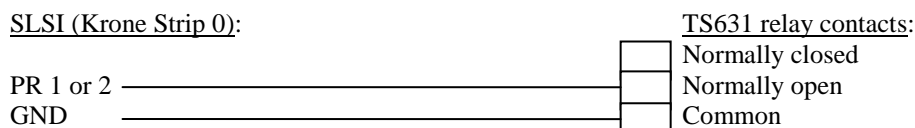
**K. Installation**

Power for the time switch is 220/30VAC

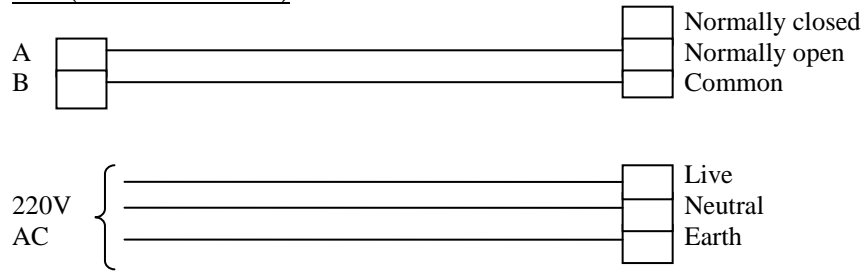
Wiring for Bell or Siren:



Wiring for change of period on SLSI80 or M20:



M20 (Pcb inside Psu box):



**NB:** The two relays always operate together.

Manufactured by:

Microsound Systems cc  
P.O. Box 38220  
Booyens  
2016  
Phone 011 493-2424  
Fax 011 493-0347  
Web [www.microsound.co.za](http://www.microsound.co.za)