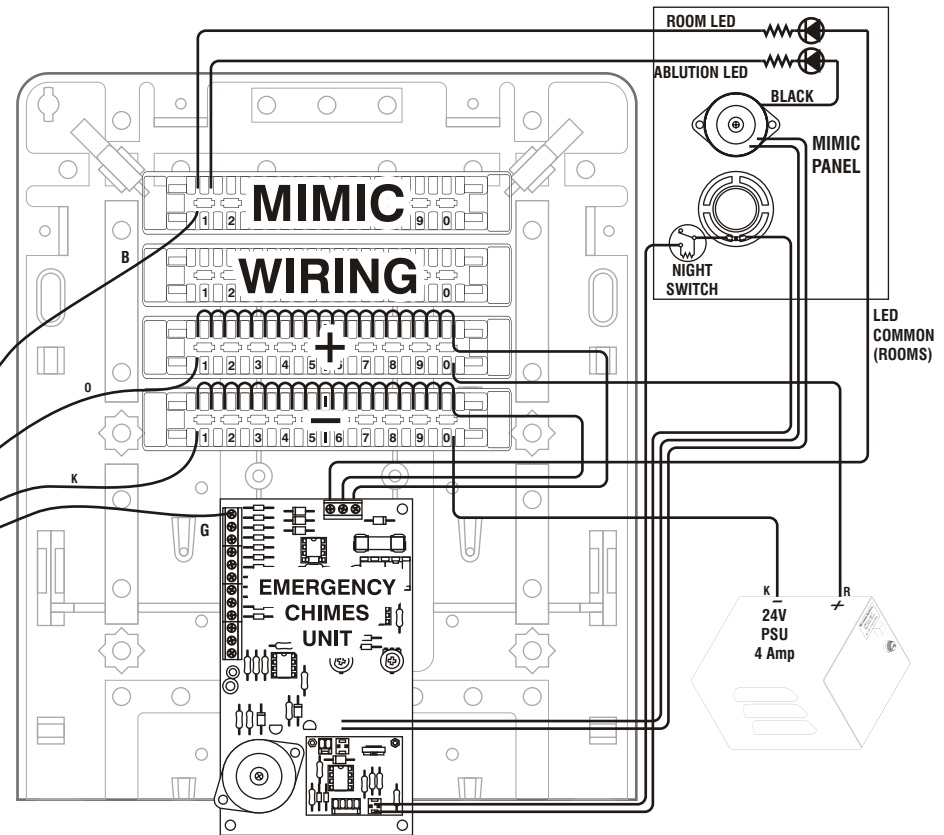
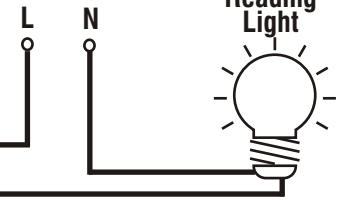
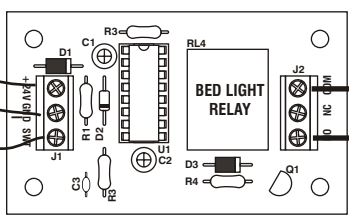
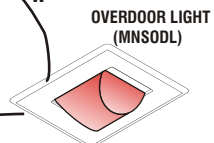
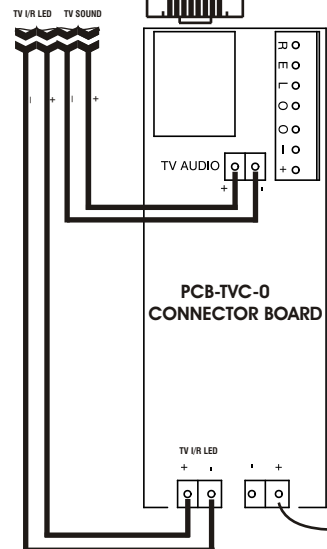


- 1 = BLUE = LAMP LEAD
- 2 = BLUE/W = EMERG. LEAD
- 3 = ORANGE = AUDIO
- 4 = ORANGE/W = 485 DATA(B)
- 5 = GREEN = 485 DATA(A)
- 6 = GREEN/W = NEG
- 7 = BROWN = OVERDOOR
- 8 = BROWN/W = +24V DC

10 CORE COMMS CABLE	
(Blue)	Bed 1
(White)	OD
(Orange)	+24V DC
(Red)	+24V DC
(Green)	Emergency
(black)	-
(brown)	-
(Yellow)	Bathroom LED
(Violet)	Bed 2 (If required)
(Light Green)	Bed 3 (If required)

4PR CABLE	
(Blue)	Bed 1
(White)	Bed 2 (If required)
(Orange)	Bed 3 (If required)
(White)	Bathroom LED
(Green)	Emergency
(White)	OD light
(brown)	+
(White)	-



Ub4 SYSTEM WIRING USING THE PCB-TVC-0 CONNECTOR BOARD