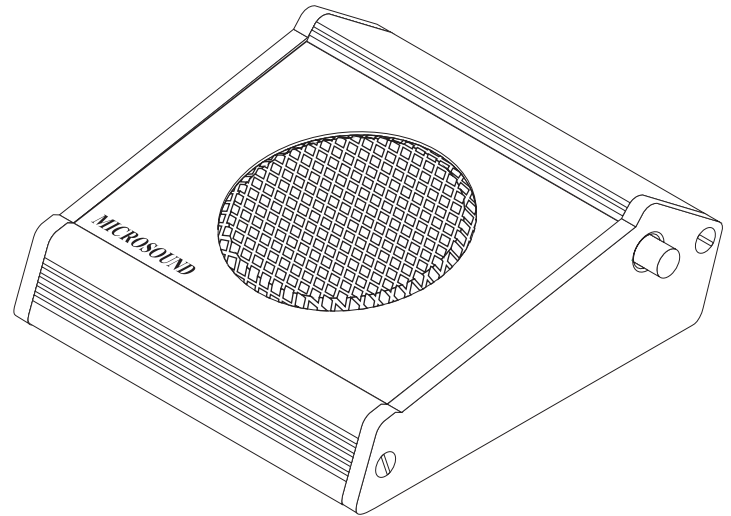


Microsound MSS101V

One to one door intercom

Master station features

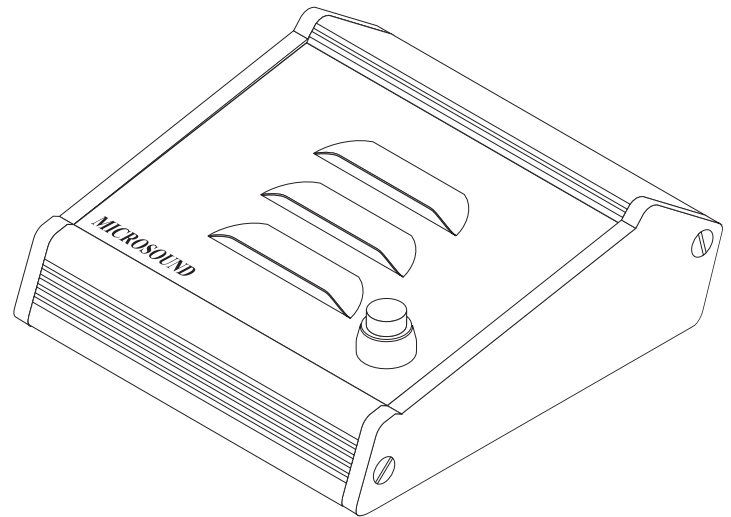
Press to talk button
Easy to install
Battery operated or psu
Auto switch off
Call in buzzer
Robust



Master Station

Sub station features

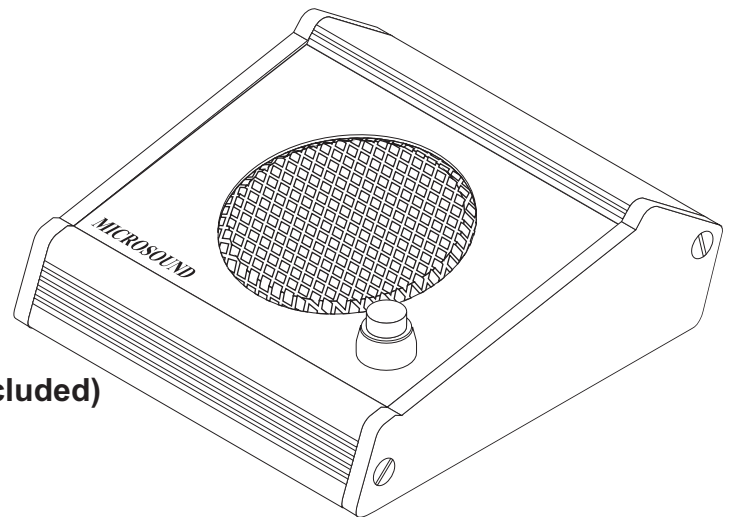
Standard and weather resistant models
Call button
Robust



Weather resistant substation

Specifications

Power source: MPS100 powersupply (excluded)
Audio output : 300mw
Power input : 300mw
Wiring : 2 twisted pairs
Distance : 50m on 0,5mm dia cable
Mounting : On 100 x 50mm electrical box



Standard substation